

# Installation Guide

## Panel composition:

Finex fiber cement panels are composite panels made with Portland cement reinforced with synthetic fibers and additives. The panels are highly durable and possess structural qualities. During the manufacturing process, layers are pressed together for greater stiffness and moisture resistance. The panels, which come in a non uniform natural cement-grey colour, are noncombustible and rot-proof, and do not require any additional protective treatment.

## Benefits of Finex panels:

- Finex fiber cement panels are resistant to :
  - heat and fire (panels are noncombustible)
  - rot
  - water
  - corrosion
  - UV rays
  - freeze/thaw
  - impact
  - most acids and chemicals.
- High quality multi-purpose panels ready to use.
- Suitable for interior or exterior applications.
- The panels can easily be cut into tiles, strips of other shapes to fit any space.
- Finex panels can be installed in contact with the ground.



## FINEX PANELS COMPLY WITH THE FOLLOWING STANDARDS:

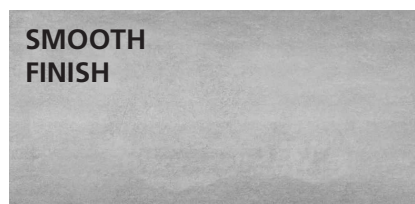
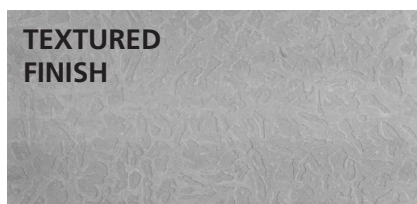
ULC S-102	Flame spread and smoke developed
ULC S-632-M91	Standard for heat shields
ULC S-114	Non-combustibility
ULC S-126	Non-combustibility of roofing materials
ULC S-107	Fire resistance of roofing materials

## 1/2" thickness

**12 mm** 4' x 8' and 4' x 10' (1,22 m x 2,44 m and 1,22 m x 3,05 m) panels.  
Recommended for horizontal applications (and high impact walls).

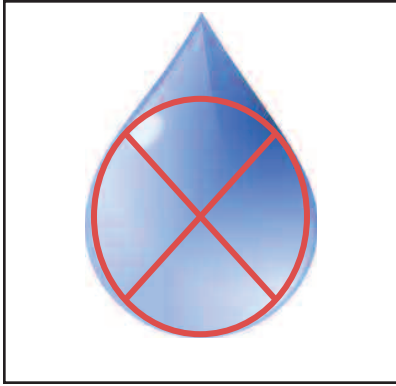
## 1/4" thickness

**6 mm** 4' x 4' and 4' x 8' (1,22 m x 1,22 m and 1,22 m x 2,44 m) panels.  
Recommended for vertical applications.



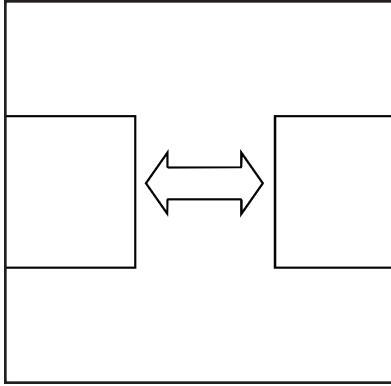
**Note:** Failure to comply with these installation instructions may result in voiding the warranty. Any construction should be made in accordance with Local Building Codes.

# GENERAL INSTALLATION GUIDELINES FOR FINEX PANELS



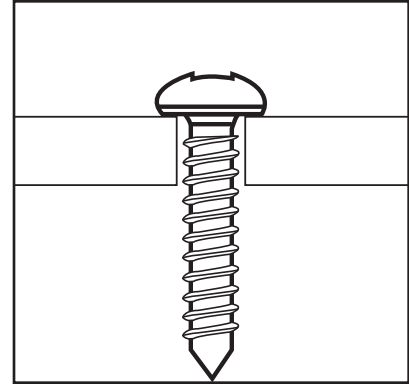
## Only install panels that are completely dry

Let panels dry on a flat surface prior to installation (72 hours in pallets/24 hours individually).



## Always leave a space for expansion

Leave a minimum space of 1/8" (3 mm) between panels. If a flexible adhesive sealant is used, leave a minimum space of 1/2" (12 mm) along the width of the panels and 1/4" (6 mm) along the length. A polyurethane base sealant is recommended.

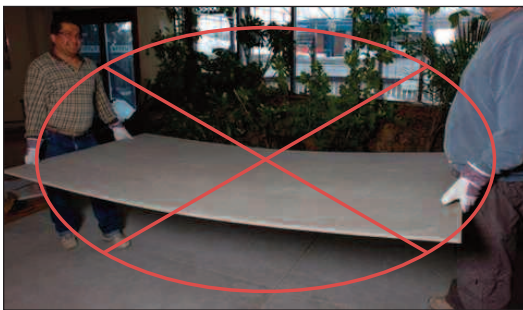


## Pre-drill a larger hole

Pre-drill holes that are 5/64" (2 mm) larger than the diameter of the screws that will be used.

### Handling procedures:

- Always carry panels on edge.
- Panel corners are fragile prior to installation.
- Store product inside on a flat surface. Keep covered if stored outside.



### Required tools and equipment:

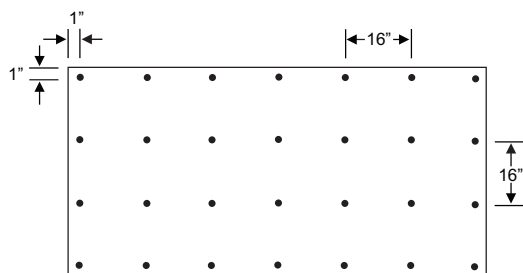
- Circular saw or jigsaw with a concrete and masonry blade.
- Drill, drill bits and counter-sinking tool.
- Appropriate stainless steel screws for substrate material (treated lumber, metal, concrete, etc.).
- Chalk line.
- Level.
- Square.
- Measuring tape.
- Protective goggles.
- NIOSH-approved mask for crystalline silica dust.
- Rasp, file or concrete router.
- Trowel.
- Caulking gun.
- Waterproofing or bond-breaking tape (for patios and balconies).



# DECKS, BALCONIES AND PATIOS

## Preparation

- Provide for a slope of 1/8" per foot (10 mm per m) away from the building to facilitate water drainage.
- Minimum 2" x 6" joists (51 mm x 152 mm) must be spaced a maximum 16" (400 mm) o.c. the joists must be straight and in perfect condition.
- Use 1/2" (12 mm) thick Finex panels.



1" on 16" o.c. framing; fasten every 16" along the joists.

Fastening pattern

## Installation (NEVER GLUE THE PANELS)

- Make sure that the panels are completely dry before the installation.
- In an open and well ventilated area, cut panels to size using a circular saw or a jigsaw with a concrete and masonry blade with carbide/diamond tip. It is recommended that you wear safety goggles and a NIOSH-approved dust mask for crystalline silica.
- Countersink 1/8" (3 mm) holes into the panel. Use a bit to pre-drill holes that are 5/64" (2 mm) larger than the diameter of the screws that will be used. Fasten the panel 1" (26 mm) from the edge every 16" (406 mm) along the joists. Stainless steel screws are recommended.

## Expansion joints

- **NOTE:** The flexible adhesive sealant manufacturer's instructions take precedence over the following.
- Leave a space of at least 1/2" (12 mm) along the width of the panels and 1/4" (6 mm) along the length.
- Install bond-breaking tape (over the joint) to prevent the flexible sealant from adhering under the joint.
- Install masking tape on each side of the joint to gather any excess sealant.
- Ensure that the panel edges are clean and dry. Remove any dust with a brush and a dry cloth before the application of the flexible adhesive sealant.
- Fill joints with a paintable adhesive sealant that will remain flexible. A polyurethane base sealant is recommended.
- Do not apply the flexible adhesive sealant under direct sunlight or if the temperature is below 4° C.
- Allow 5 to 7 days for sealant to cure prior to painting or cleaning the surface.
- **NOTE:** The installation of Finex panels with adhesive sealant or finishing products should not be considered as a waterproofing system. If such a system is required, put it in place before you install the Finex panels, such as a membrane.

## STEP BY STEP

Joists spaced 16" (400 mm) o.c. Use double joists and perpendicular blocks under joints.



1 Installation on bond-breaking tape



2 Drilling



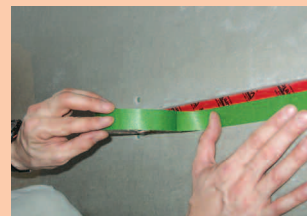
3 Countersinking



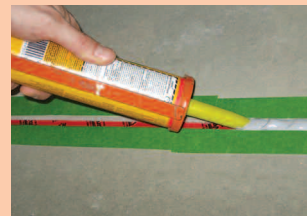
4 Hole must be larger than diameter of screw



5 Leave a space



6 Installation of masking tape



7 Application of flexible adhesive sealant

# DECKS, BALCONIES AND PATIOS

## Tips:

- Use a rasp, file, or concrete router for a smoother bullnosed finish.
- Use 1/4" (6 mm) panels as vertical trim.



## FINEX FINISHING PRODUCTS

### 1 CLEANER

- Removes dirt and efflorescence.
- Improves penetration and adhesion of finish.
- 4 liters cover up to 200 sq. ft.



### 2 FINISHING COMPOUND FOR SCREWS

- Ideal for resurfacing concrete and masonry.
- High performance compound (glue-based vs water-based).
- Superior adhesion and durability.
- Contains enough to cover screws for 8-10 panels.



### 3 ANTI-SLIP ACRYLIC

- Adds a bit of colour.
  - 4 attractive colours available.
  - 3.78 L pail will cover up to 160 sq. ft. (May require 2 coats).
- \* Wait 4-6 hours drying time between coats.



CONCRETE GREY

BLUE-GREY

SAND

TAUPE

### 4 CLEAR SEALER

- For a glossy finish, hard surface, and extra protection against stains, oil, grease, and calcium.
  - 3.78 L pail will cover up to 200 sq. ft. (2 coats are required).
- \* Apply a second coat once first coat is dry to the touch.

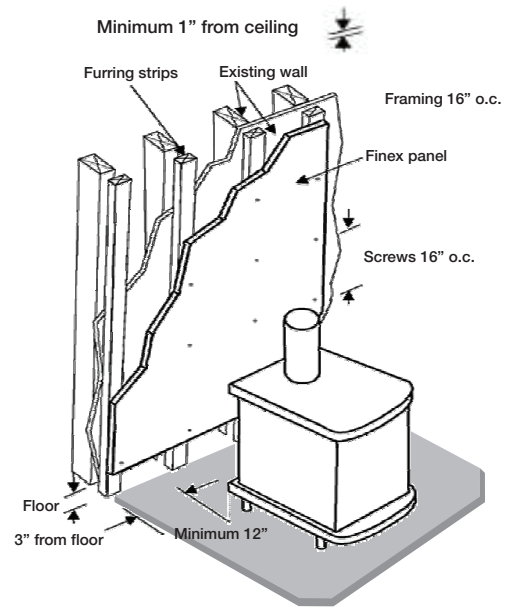
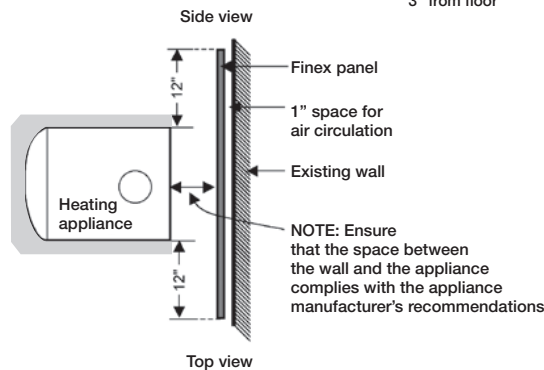


For detailed instructions on how to use  
Finex finishing products,  
please visit our website  
[www.gofinex.com](http://www.gofinex.com)

**Warning:** Colour reproduction depends on printing methods used. For exact colour, see product samples.

## HEAT SCREENS

- Use 1/2" (12 mm) panels for stove bases and 1/4" (6 mm) panels for heat screens. Panels must extend a minimum of 12" (300 mm) on each side of the appliance.
- On vertical metal furring strips (or Finex panel strips) fastened and aligned on the studs, put the heat shield on the wall. Leave a minimum 1" (24 mm) space between the heat shield and the wall to ensure proper air circulation.
- Drill holes using a bit with a diameter that is 5/64" (2 mm) larger than the diameter of the screws. Fasten the Finex panels onto the furring 16" (400 mm) o.c., 1" (26 mm) minimum from the edge of the panels. The screws must be long enough to penetrate at least 3/4" (19 mm) into the framing. Do not locate any screws directly behind the appliance.
- Leave a minimum gap of 1" (24 mm) above the panel and 3" (72 mm) below the panel.
- Follow the manufacturer's instructions to determine the distance between the screen and the appliance. That distance may be reduced by 2/3 with a Finex heat screen.
- The use of glue for stone, ceramic, brick or any other decorative covering on Finex panels when panels are used as a heat shield is not recommended. Instead, use a paint that resists high temperatures.



## WALLS AND CEILINGS

### Walls

- Studs and fasteners must be spaced a maximum of 16" (400 mm) o.c. in areas where high resistance to impact is needed and 24" (600 mm) elsewhere.
- Use 1/2" (12 mm) panels for walls where the risk of impact is high.
- Avoid aligning panel joints with door or window openings in order to prevent cracks due to shifting of the framing.

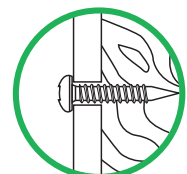
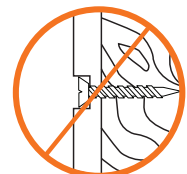
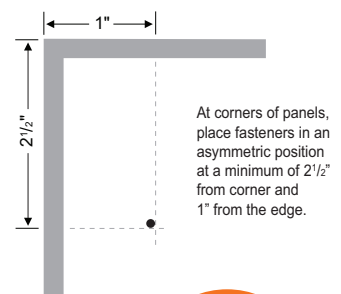
### Ceilings

- Joists, rafters and fasteners must be spaced a maximum of 24" (600 mm) o.c.
- Fasten panels perpendicular to joists in order to ensure that stress is distributed crosswise.

### Walls / Ceilings

- Locate joints on centre of studs or joists or furring strips. Leave a minimum space of 1/8" (3 mm) between panels for expansion. If a flexible adhesive sealant is used, leave a minimum space of 1/4" (6 mm). A bond breaking tape is required to prevent the flexible sealant from adhering under the joint. Sealing of the joints is not required (see note #2 pages 2 and 3).
- Pre-drill holes that are 5/64" (2 mm) larger than the diameter of the screws that will be used. Fasteners must penetrate at least 3/4" (19 mm) into a solid substrate (wood or metal stud).
- Fasteners must be placed 1" (26 mm) minimum from the edges of the panels.
- At corners of panels, place fasteners in an asymmetric position at a minimum of 2-1/2" from corner and 1" from the edge.

#### Fasteners in an asymmetric position at the corners of panels

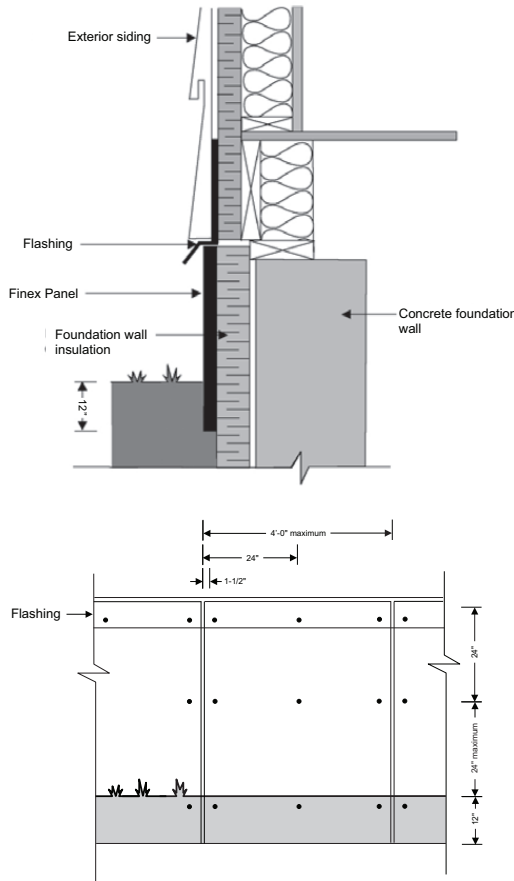


**NOTE: Do not countersink screws when using 1/4" (6 mm) panels.**

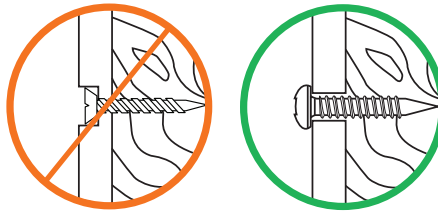
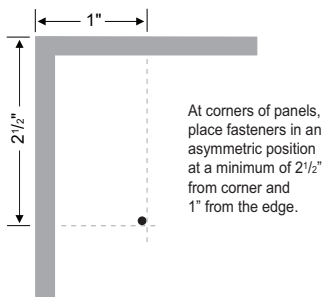
# PROTECTION OF EXTERIOR INSULATION ON FOUNDATION WALLS

## Cut FINEX panels to maximum 4' (1,22 m) lengths

- Install panels 12" (300 mm) below ground level and fasten every 24" (600 mm) along the width and height of the panels.
- Drill holes using a bit with a diameter that is 5/64" (2 mm) larger than the diameter of the screws. Fasteners must penetrate at least 3/4" (19 mm) into the concrete or furring strips.
- Fasteners must be placed 1" (26 mm) minimum from the edges of the panels.
- At corners of panels, place fasteners in an asymmetric position at a minimum of 2-1/2" from corner and 1" from the edge.
- Leave a minimum space of 1/8" (3 mm) between panels for expansion. If a flexible adhesive sealant is used, leave a minimum space of 1/4" (6 mm). A bond breaking tape is required to prevent the flexible sealant from adhering under the joint. Sealing of the joints is not required.
- The use of flashing is recommended to avoid snow/water build-up and to cover the screws on the top part of the panels. Use backfill to cover all other screws.



### Fasteners in an asymmetric position at the corners of panels



**NOTE:** Do not countersink screw head with 1/4" (6 mm) panel.

## Numerous other applications for Finex fiber cement panels:

- Storage shed floors
- Cladding for docks
- Floors and walls of garages (car wash) and workshops
- Exterior boxes
- Fire, water, sound, and impact resistant partitions
- Ramps
- Around salt water pools/spas
- Gazebos
- Mobile home siding
- Roofs, comices, and gables
- Subfloors
- Steam baths, saunas
- Kitchen counters
- Wine cellars
- Wall paneling for recreation rooms, schools
- Agricultural applications
- Solariums
- Electrical panels
- Fireproofing of air ducts
- Table and bench tops
- Hood covering
- And many more . . .

**FINEX**  
THE FIBER CEMENT EXPERTS

[www.gofinex.com](http://www.gofinex.com)

1-877-92FINEX (34639)